

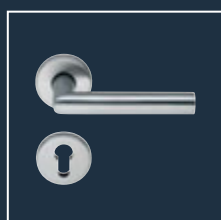
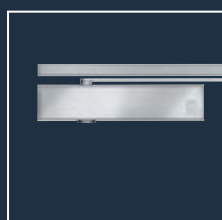
ECO **FTS**-63/R



Product information



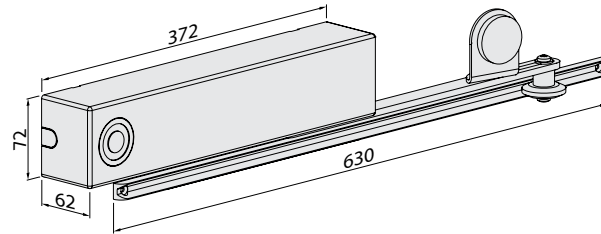
■ SYSTEM TECHNOLOGY FOR THE DOOR



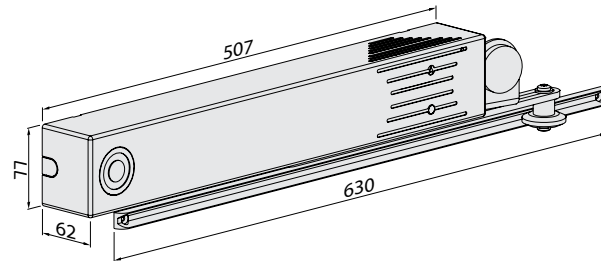
SWISSDOOR
DØRTEKNIK FOR PROFESSIONELLE

Product characteristics

		FTS 63	FTS 63-R
Closing force (continuously adjustable)	Size acc. to EN	2 - 5 (2 - 6)	2 - 5 (2 - 6)
Door width acc. to EN	≤ 1.250 mm	■	■
	≤ 1.400 mm	□	□
Dimensions (incl. mounting plate)	Length in mm	372	507
	Depth in mm	62	62
	Height in mm	72	77
DIN left / right (please order corresponding execution)		■	■
Latching speed (continuously adjustable)		■	■
Back-check (continuously adjustable)		■	■
Closing speed (continuously adjustable)		■	■
Door opening angle	Standard	85° - 115°*	115° - 155°*
	With special arm		
Tested acc. to EN		EN 1155	
Suitable for fire- and smoke control doors		F	
Certified according to EU-Directive		CE	
■ Yes - No □ Option			
*depending on door construction			



Dimensions: FTS-63



Dimensions: FTS-63 R

ECO FTS-63 / R ■ ... for special applications

With the FTS-63 / R hold-open door closer, ECO Schulte has developed a product for use in special-purpose buildings. Accordingly, the hold-open door closer is used mainly in retirement homes, kindergartens, schools, hospitals and other buildings in which doors have to be opened and closed with as little force as possible.

The FTS-63 / R is designed in such a way that an electromagnet holds the lever arm of the door closer in the open position. This means that the door is separated from the hold-open system, thus guaranteeing the free-running function. In combination with a separate and/or integrated smoke switching system, the magnet is deactivated either automatically or by means of a manual switch when smoke is detected, so that the door closer can assume its normal function and the lever arm closes the door.

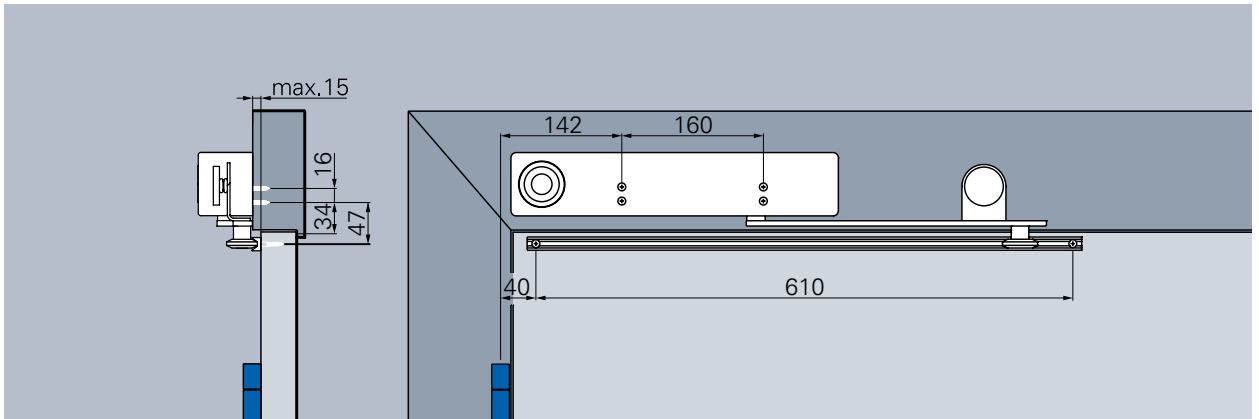
FTS-63 / R is available in size 2 - 5 and 2 - 6 (tested acc. to **EN 1155**) for doors with max. 1.400 mm width.



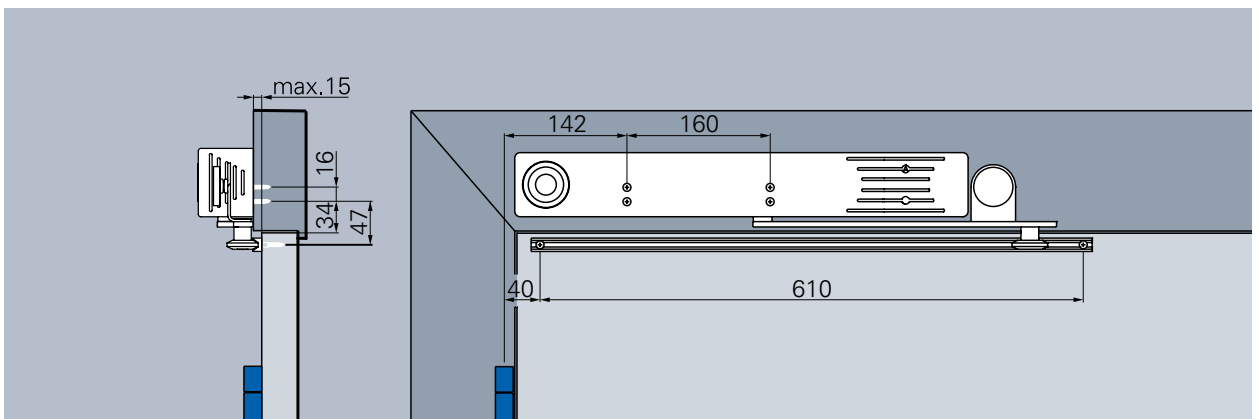
According to the DIBt (German Construction Technology Institute) guidelines for hold-open systems for fire-retarding and smoke protection doors, a red manual switch with the inscription "Close Door" must be installed in a clearly visible, easily accessible place in their immediate proximity.

Mounting

illustration DIN left-door, DIN right laterally reversed



Standard mounting, hinge side – FTS-63



Standard mounting, hinge side – FTS-63 R

Closing speed

Continuously adjustable closing speed from 115° to 0°.

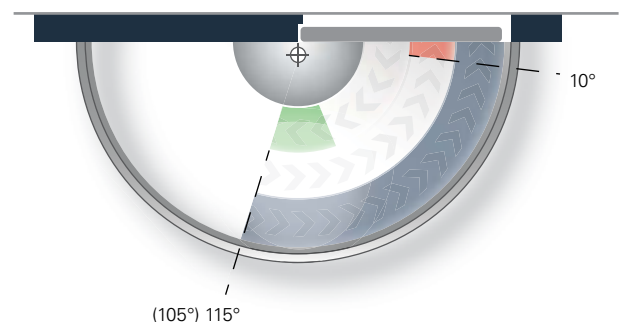
Latching speed

Increases the closing speed and thus the safe closing of the door, for example to overcome door seals, door locks and high air pressure. Continuously adjustable, works between 10 to 0°

Back-check

Reduces the opening speed starting at 70° and avoids the slamming of the door. Back-check fixed

Closing force diagram FTS, hinge side



Closing force:

Continuously adjustable min. size 2
max. size 5

or

Continuously adjustable min. size 2
max. size 6

Default delivery condition: size 3



The free-swinging function de-activates closing force, closing speed, back-check and latching speed

Order information

ECO FTS-63 / -63 R ■ Product description

Door closer with free-swinging function ECO FTS 63

- The free-swinging function is activated by locking the arm when opening once
- Opening angle, depending on notch of the door: 85° - 115° (115° - 155° on request)
- External power supply 24 V DC, in order to connect to an external smoke detector
- Closing force, closing speed and latching speed continuously adjustable
- Head-mounting on pull side, slide rail on door leaf (optional)
- Adaptor profiles for special structural conditions available

Door closer with free-swinging function ECO FTS 63 R

- The free-swinging function is activated by locking the arm when opening once
- Integrated smoke detector
- Opening angle, depending on notch of the door: 85° - 115° (115° - 155° on request)
- Power supply 230 V AC
- Closing force, closing speed and latching speed continuously adjustable
- Head-mounting on pull side, guiding rail on door leaf
- Adaptor profiles for special structural conditions available



According to the rules for hold-open devices of the DBIt, an interrupt button stating „Close door“ (red) has to be placed nearby, visible and freely accessible when using the free-swinging door closer.

FTS-63 / R



Door closer with-out smoke switch	Colour	DIN	Article number	Door closer with-out smoke switch	Colour	DIN	Article number
FTS-63 (2-5)	Stainless steel satin	DIN L	306113AB5Q05001	FTS-63 (2-6)	Stainless steel satin	DIN L	306113CB5Q05001
FTS-63 (2-5)	Stainless steel satin	DIN R	306113AB5Q06001	FTS-63 (2-6)	Stainless steel satin	DIN R	306113CB5Q06001



Door closer with smoke switch	Colour	DIN	Article number	Door closer with smoke switch	Colour	DIN	Article number
FTS-63 R (2-5)	Stainless steel satin	DIN L	306113AB5Q05011	FTS-63 R (2-6)	Stainless steel satin	DIN L	306113CB5Q05011
FTS-63 R (2-5)	Stainless steel satin	DIN R	306113AB5Q05012	FTS-63 R (2-6)	Stainless steel satin	DIN R	306113CB5Q05012

Danish seller:

Swissdoor ApS
Stenhuggervej 2
DK-5471 Soendersoe
Tlf.: +45 86 28 00 00
mail@swissdoor.dk
www.swissdoor.dk