

T80

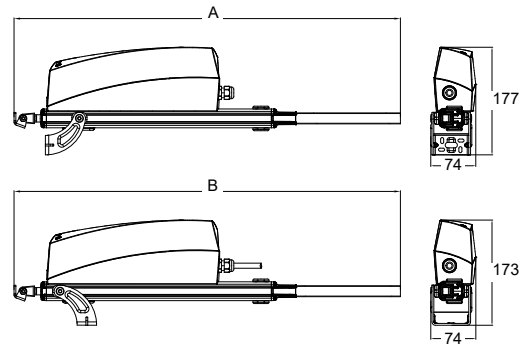
Rack actuator
Thrust force 800N
Max. stroke 1000mm



DESCRIPTION FOR TECHNICAL SPECIFICATIONS

Powerful electric rack actuator with tilting self-aligning movement, with brackets and accessories for top hung windows. Operation at 230V~50Hz. Max. recommended load 800N. Max stroke 1000 mm. Pre-set for the mechanical connection of two or more push-points by transmission rod. Limit switch by Diodo hall. CE marked device

| corsa/stroke | A |
|--------------|--------|
| 180mm | 636mm |
| 230mm | 686mm |
| 350mm | 806mm |
| 550mm | 1006mm |
| 750mm | 1206mm |
| 1000mm | 1456mm |



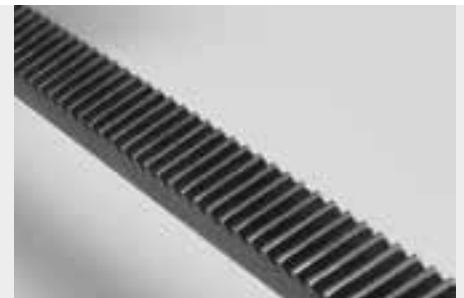
| corsa/stroke | B |
|--------------|--------|
| 180mm | 636mm |
| 230mm | 686mm |
| 350mm | 806mm |
| 550mm | 1006mm |
| 750mm | 1206mm |
| 1000mm | 1456mm |



Rapid coupling system even when disconnected from the power supply provided by the easy dovetail of the stainless steel bracket on the side tracks



High protection IP 55 rated



Special rack with very high resistance on top loads

TECHNICAL CHARACTERISTICS

T80 230V

| | |
|---|---------------------------------------|
| Power supply voltage | 230V ~ 50Hz |
| Max recommended load | 800 N |
| Max recommended load 2 push points (1 master + 1 slave) | 750 N |
| Max recommended load 2 push points (1 master + 1 master) | 1200 N |
| Max recommended load 3 push points (1 master + 2 slaves)* | 700 N |
| Distance between 2 push points | max 3 m - min 1 m |
| Strokes | 180 - 230 - 350 - 550 - 750 - 1000 mm |
| Absorbed current | 0,3 A |
| Idle translation speed | 12 mm/s |
| Double insulated | YES |
| Service type | S2 of 4 min |
| Operating temperature | - 5°C + 55°C |
| Protection Class | IP 55 |
| Parallel connection option | YES |
| Connection and synchronisation possibility on the same window | mechanical, by transmission rod |
| End of stroke | electronic |
| Dimensions | from 571,6 up to 1391,6x68,7x137,4 mm |

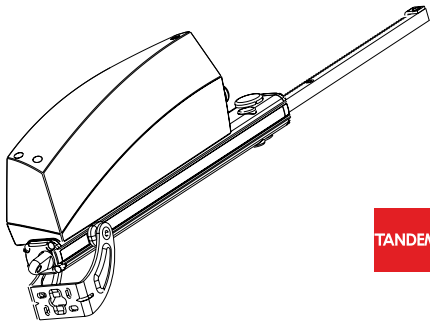
* Operation up to 6 drives on the same window frame is possible by transmission rod. Ask our technical dept. for the placement of the pushing points and the calculation of the thrust force.

CODE PRODUCT DESCRIPTION

T80 standard 1 push point

| | |
|----------------|---------------------------------------|
| 3C10#000005600 | T80 rack actuator 230V stroke 180 mm |
| 3C10#000005601 | T80 rack actuator 230V stroke 230 mm |
| 3C10#000005380 | T80 rack actuator 230V stroke 350 mm |
| 3C10#000005252 | T80 rack actuator 230V stroke 550 mm |
| 3C10#000005423 | T80 rack actuator 230V stroke 750 mm |
| 3C10#000005276 | T80 rack actuator 230V stroke 1000 mm |

Bracket and fitting accessories for several push points available.



T80 standard 2 push points (interax 2 mt) with vertical mounting brackets

TANDEM

| | |
|----------------|--|
| 3C11#000005607 | T80 rack actuator 230V tandem stroke 180 mm |
| 3C11#000005608 | T80 rack actuator 230V tandem stroke 230 mm |
| 3C11#000005493 | T80 rack actuator 230V tandem stroke 350 mm |
| 3C11#000005609 | T80 rack actuator 230V tandem stroke 550 mm |
| 3C11#000005522 | T80 rack actuator 230V tandem stroke 750 mm |
| 3C11#000005269 | T80 rack actuator 230V tandem stroke 1000 mm |

T80 Transmission rod

| | |
|--------|--|
| 1C1040 | Transmission rod L=872mm (interax 1,0 mt) |
| 1C1041 | Transmission rod L=1372mm (interax 1,5 mt) |
| 1C1042 | Transmission rod L=1872mm (interax 2,0 mt) |
| 1C1043 | Transmission rod L=2372mm (interax 2,5 mt) |
| 1C1044 | Transmission rod L=2872mm (interax 3,0 mt) |

T80 Connection accessories for 2 or more push points

| | |
|--------|--|
| 3C1010 | T80 Transmission accessories for 2 push points |
| 3C1011 | T80 Transmission accessories for 3 push points |
| 3C1012 | T80 Transmission accessories for 4 push points |
| 3C1013 | T80 Transmission accessories for 5 push points |

Description of the standard pattern T80 standard 1 push point with vertical mounting brackets


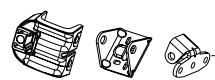
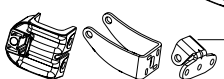
| | |
|----------------|--------------------------------------|
| 3C10#000005380 | T80 rack actuator 230V stroke 350 mm |
|----------------|--------------------------------------|

Description of the standard pattern T80 standard 2 push points with vertical mounting brackets

| | |
|----------------|---|
| 3C10#000005380 | T80 rack actuator 230V stroke 350 mm |
| 3C11#000005493 | T80 rack assembly stroke 350 mm |
| 1C1042 | Transmission rod L=1872 mm (interax 2,0 mt) |
| 3C1010 | Transmission accessories for 2 push points |

Bracket and fitting accessories for several push points available.

Accessories and spare parts

| | | |
|---|--------|--|
|  | 3C1200 | Brackets set for 1 push point |
|  | 3C1201 | Brackets set for 2 push points - vertical mounting |
|  | 3C1203 | Brackets set for 2 push points - frontal mounting |
| | 3C1001 | Spare parts for 1 push point |
| | 3C1002 | Spare parts for more push points |

