

# T80 RWA



Rack actuator  
Thrust force 800N  
Max. stroke 1000mm

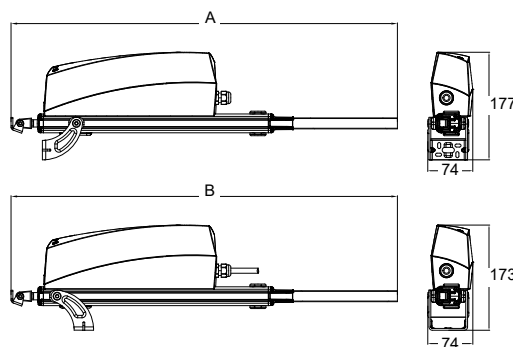


## DESCRIPTION FOR TECHNICAL SPECIFICATIONS

Powerful electric rack actuator with tilting self-aligning movement, with brackets and accessories for top hung windows. Operation at 24V DC. Max. recommended load 800N. Max. stroke 1000mm. Pre-set for the mechanical or electronic connection of two or more push-points by transmission rod. Limit switch by Diodo hall. CE marked device, complying with the EN12101-2 standard designed for smoke ventilation applications.

corsa/stroke	A
180mm	636mm
230mm	686mm
350mm	806mm
550mm	1006mm
750mm	1206mm
1000mm	1456mm

corsa/stroke	B
180mm	636mm
230mm	686mm
350mm	806mm
550mm	1006mm
750mm	1206mm
1000mm	1456mm



Rapid coupling system even when disconnected from the power supply provided by the easy dovetail of the stainless steel bracket on the side tracks.



High protection IP 55 rated



Special rack with very high resistance on top loads.

## TECHNICAL CHARACTERISTICS

	T80 24V
Power supply voltage	24V
Max recommended load	800 N
Max recommended load 2 push points (1 master + 1 slave)	750 N
Max recommended load 2 push points (1 master + 1 master)	1200 N
Max recommended load 3 push points (1 master + 2 slaves)*	700 N
Distance between 2 push points	max 3 m - min 1 m
Strokes	180 - 230 - 350 - 550 - 750 - 1000 mm
Absorbed current	1,4 A
Idle translation speed	14 mm/s
Duration of the idle stroke	(stroke/idle translation speed)
Double insulated	YES
Service type	S2 of 4 min
Operating temperature	- 5°C + 50°C
Protection Class	IP 55
Parallel connection option	YES
Connection and synchronisation possibility on the same window	mechanical, by transmission rod
End of stroke	electronic
Dimensions	from 571,6 up to 1391,6x68,7x137,4 mm

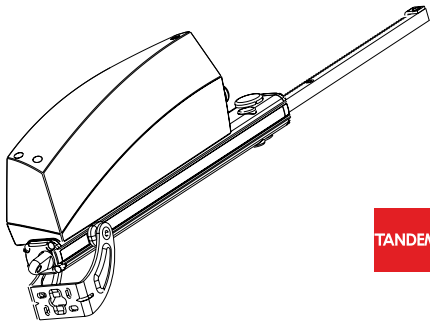
\* Operation up to 6 drives on the same window frame is possible by transmission rod. Ask our technical dept. for the placement of the pushing points and the calculation of the thrust force.

**CODE                      PRODUCT DESCRIPTION**

**T80 standard 1 push point**

3C10#000005602	T80 RWA rack actuator 24V stroke 180 mm
3C10#000005603	T80 RWA rack actuator 24V stroke 230 mm
3C10#000005243	T80 RWA rack actuator 24V stroke 350 mm
3C10#000005604	T80 RWA rack actuator 24V stroke 550 mm
3C10#000005605	T80 RWA rack actuator 24V stroke 750 mm
3C10#000005606	T80 RWA rack actuator 24V stroke 1000 mm

Bracket and fitting accesories for several push points available.



**T80 standard 2 push points (interax 2 mt) with vertical mounting brackets**

**TANDEM**

3C11#000005607	T80 rack actuator 230V tandem stroke 180 mm
3C11#000005608	T80 rack actuator 230V tandem stroke 230 mm
3C11#000005493	T80 rack actuator 230V tandem stroke 350 mm
3C11#000005609	T80 rack actuator 230V tandem stroke 550 mm
3C11#000005522	T80 rack actuator 230V tandem stroke 750 mm
3C11#000005269	T80 rack actuator 230V tandem stroke 1000 mm

**T80 Transmission rod**

1C1040	Transmission rod 872 mm (interax 1,0 mt)
1C1041	Transmission rod 1372 mm (interax 1,5 mt)
1C1042	Transmission rod 1872 mm (interax 2,0 mt)
1C1043	Transmission rod 2372 mm (interax 2,5 mt)
1C1044	Transmission rod 2872 mm (interax 3,0 mt)

**T80 Connection accessories for 2 or more push points**

3C1010	T80 Transmission accessories for 2 push points
3C1011	T80 Transmission accessories for 3 push points
3C1012	T80 Transmission accessories for 4 push points
3C1013	T80 Transmission accessories for 5 push points

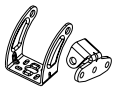
**Description of the standard pattern T80 standard 1 push point**

3C10#000005243	T80 rack actuator 24 V stroke 350 mm
----------------	--------------------------------------

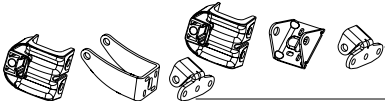
**Description of the standard pattern T80 standard 2 push points with vertical mounting brackets**

3C10#000005243	T80 rack actuator 24 V stroke 350 mm
3C11#000005493	T80 rack assembly stroke 350 mm
1C1042	Transmission rod L=1872 mm (interax 2,0 mt)
3C1010	Transmission accessories for 2 push points

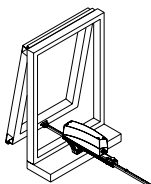
Bracket and fitting accesories for several push points available.



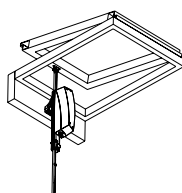
**Accessories and spare parts**



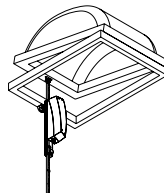
3C1200	Brackets set for 1 push point
3C1201	Brackets set for 2 push points - vertical mounting
3C1203	Brackets set for 2 push points - frontal mounting
3C1001	Spare parts for 1 push point
3C1002	Spare parts for more push points



Top-hung windows



Skylights



Cupolas, Louvers