

# V1

Automation for  
interior sliding doors  
Capacity max. 70Kg



## DESCRIPTION FOR TECHNICAL SPECIFICATIONS

TOPP door operator, model V1, for interior sliding doors, max. load 70kg. Power supply 230V~ 50 Hz.

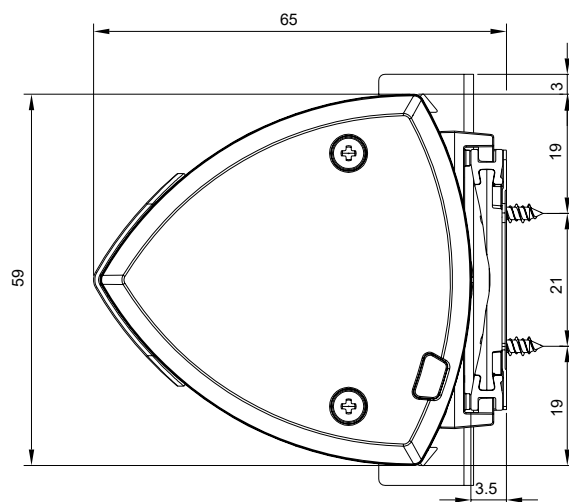
V1 allows:

- easy installation;
- simple adaptability to existing sliding doors;
- minimal dimensions and appealing design;

V1 can be easily installed on existing concealed sliding doors and complies with the EN16005 standard, "Low Energy Movement" section, that manages the door speed by a sophisticated electronic control with no need of sensors or safety photocells.



## DIMENSIONS



## TECHNICAL CHARACTERISTICS

Power supply:	230V ~ 50/60 Hz
Peripheral power output:	5 V 80mA / 24 V 110mA
Absorption:	100mA a 230 V
Power absorbed:	15W
Type of use:	continuous
Opening/closing speed:	in accordance with the EN16005 about "Low Energy Movement" in reference to panel weight
Control of panel weight:	from 150N to 700N adjustable every 35N by the installer
Maximum thrust force:	62N
Door open waiting time:	adjustable from 2 sec to 60 sec
Protection against electric shocks:	class II
Working temperature:	- 5°C + 50°C
Number of door panels:	1 PANEL
Maximum capacity:	700N
Size of opening*:	700 ÷ 1000 mm
Overall dimensions:	59x65 mm x variable length 700 - 1000 mm

\*Operator for 1200mm opening available upon request





## V1 AUTOMATION FOR INTERIOR SLIDING DOORS

Max. door panel weight 70kg

CODE	PRODUCT DESCRIPTION
------	---------------------

3R20003	V1 Operator, grey colour (with infrared on-board sensor)
---------	---

3R20004	V1 Operator, white colour (with infrared on-board sensor)
---------	--

3R21001	V1E Door Operator, grey colour (with infrared on-board sensor) Not suitable for our TS8 radio remote selector
---------	---

3R21002	V1E Door Operator, white colour (with infrared on-board sensor) Not suitable for our TS8 radio remote selector
---------	--

1200mm door opening available.





## V1 ACCESSORIES

V1 is available with infrared on-board sensor, microwave sensor or gesture activation key and remote control selector. In the basic version, functions by remote control selector cannot be selected.

Our remote control selector allows to select the following functions:

- Opening/Closing
- Door open or close
- Slow speed mode
- Entrance only mode
- Exit only mode
- Reset
- Automatic mode

CE marked device.



CODE

PRODUCT DESCRIPTION

8E0313

TS8 8-functions radio remote selector  
(with magnetic wall-mounting stand)



8E1075

WS2 Microwave activation sensor



8E1150

HS1 External gesture activation key



8E1151

HS2 Gesture activation key for the  
activation/deactivation of EB1 electric lock



8E1106

EB1 Electric lock with emergency manual release  
(to be combined with two HS2 gesture activation keys)



3R1905

GL1 double-sided tape for joining the track  
with glass panels



3R2004

Glass panel stopper kit