

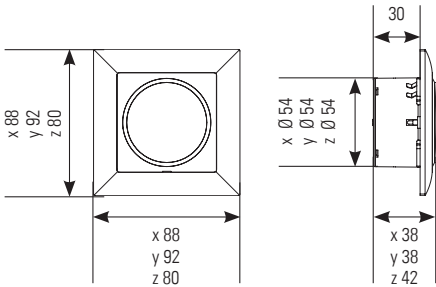
CleanSwitch

Touchless switch –
Integration for Feller, Hager, Gira and Jung back box switch systems

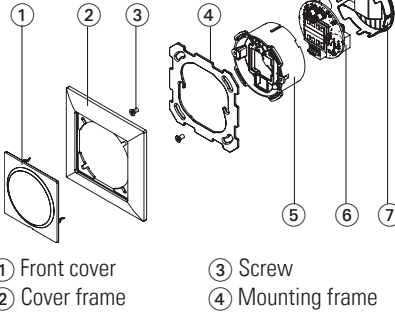
Translation of the original instructions

General

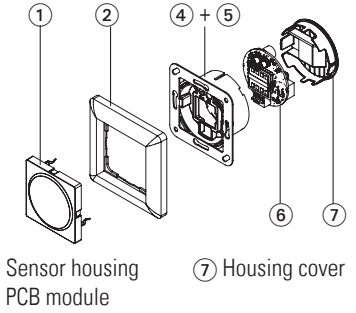
x = Feller, y = Hager, z = Gira / Jung



Feller / Hager



Gira / Jung



1 Safety instructions

The unit may only be installed and commissioned by trained and qualified personnel.

The unit may only be opened and repaired by the manufacturer.



This unit may only be operated from a protective low-voltage with safe electrical isolation.

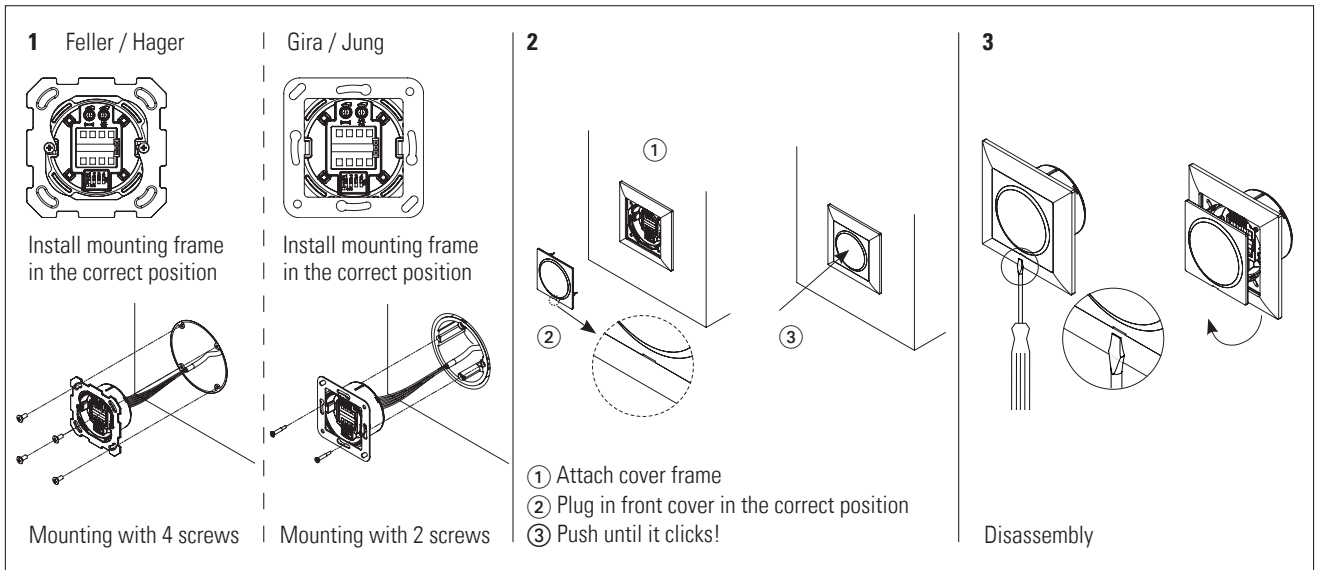
Always consider the safety functions of your application as a whole, never just in relation to one individual component of the system.

The installer is responsible for carrying out a risk assessment and installing the detector and the system correctly.

Avoid touching any electronic components.

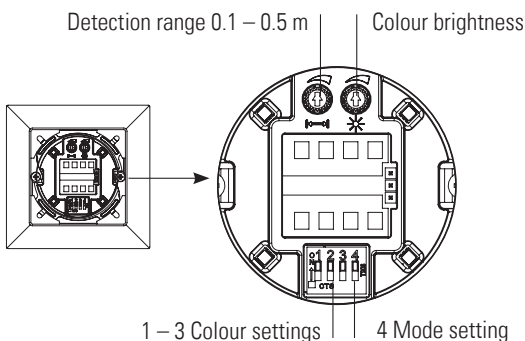
2 Assembly

Assembly by example Feller / Hager



3 Configuration

Factory settings



DIP switches

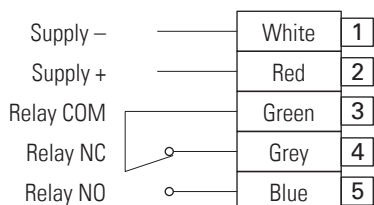
1 – 3 Optical feedback

ON	1	2	3	4	Green / Red
ON	1	2	3	4	Red / Green
ON	1	2	3	4	Blue / Green
ON	1	2	3	4	Green / Green
ON	1	2	3	4	Red / Red
ON	1	2	3	4	Blue / Blue
ON	1	2	3	4	– / Green
ON	1	2	3	4	– / Blue

4 ON Toggle Mode
4 OFF Pulse Mode

ON	1	2	3	4	ON Toggle Mode
ON	1	2	3	4	OFF Pulse Mode

4 Electrical connections



Stripping length min. 8.5 mm (solid or flexible wire)



AWG 24 – 16 / 0.2 – 1.5 mm²

- Solid wire > push in
- Flexible wire > press button and push in

5 Technical data

Technology	Microwave Doppler Radar
Frequency	24.125 GHz
Detection range	0.1 – 0.5 m
Detection mode	Pulse mode: sensor detects while hand is moving Toggle mode: first movement on/ second movement off
Detection speed	Min: 5 Hz or ± 3 cm/s Max: 200 Hz or ± 1.2 m/s
Supply voltage	12 – 24 VAC ± 10 % (50 – 60 Hz) 12 – 24 VDC + 20 % / – 10 %
Max. power consumption	< 1 W (with optical feedback)
Output	Relay with switch-over contact (free of potential) Max. switching voltage/current (DC): 1A up to 30V, 0.5A up to 60V Max. switching voltage/current (AC): 1A up to 60V, 0.5A up to 125V Max. switching power: 30 W (DC) / 60 VA (AC)
Output hold time	"Relay hold time": 0.3 s "LED hold time": 2 s
Storage / operation temperature	– 20 to + 60 °C
Protection class	IP20
Dimension (mm)	Feller: 88 x 88 x 38 mm (L x W x H) Hager: 92 x 92 x 38 mm (L x W x H) Gira / Jung: 80 x 80 x 42 mm (L x W x H)
Weight	55 g
Materials	Feller: ASA / PC Hager / Gira / Jung: Duroplast / ASA / PC

Note: CleanSwitch is according VAH list resistant to surface disinfectants in hospitals.

6 EU Declaration of Conformity



See attachment

7 WEEE



Devices with this symbol must be treated separately during disposal. This must be done in accordance with the laws of the respective countries for environmentally sound disposal, processing and recycling of electrical and electronic equipment.

8 FCC approval



This device meets the requirements of Part 15 of the FCC regulations and the RSS-210 standard of Industry Canada.

Warning: Changes or modifications made to this device may void the FCC authorisation to operate this device.

9 Contact

BBC Bircher Smart Access, BBC Bircher AG, Wiesengasse 20, CH-8222 Beringen, www.bircher.com

Made in China / Designed in Switzerland