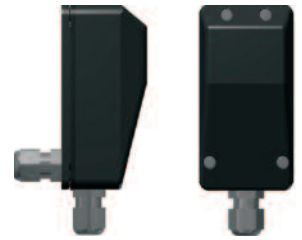


# BRW20

## Through-beam photo-electric switch

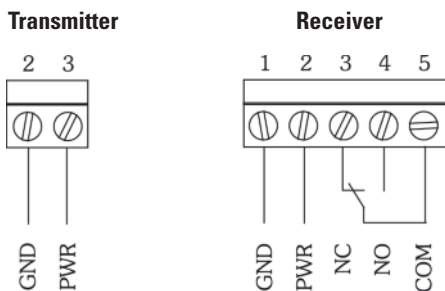
- Range max. 20m
- Insensitive against ambient light
- High degree of protection
- Optional cable entry
- Terminal compartment
- 2 transmitting channels
- Operating voltage 10-40VDC or 24VAC +/- 25%
- Protected against power supply polarity reversal
- Relay output
- Easy adjustment of the transmitter
- Soiling indication
- LED alignment indication



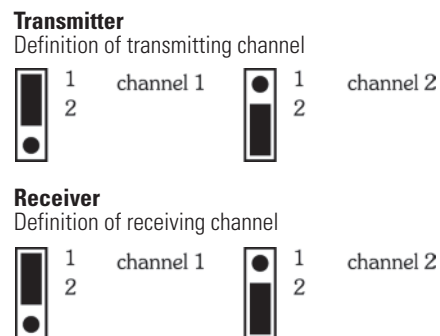
### 1 Technical Data

<b>Range</b>	1.5 - 20m	<b>Indications transmit:</b>	yellow = operational
<b>Operating voltage</b>	10 - 40VDC 24VAC, +/- 25%	<b>receiver:</b>	red = light beam interrupted, yellow = light beam ok flashing = spare critical function capacity (e.g.: soiling)
<b>Current consumption</b>	transmitter <15mA receiver <30mA	<b>Type of connection</b>	screw terminal max. 1.5mm <sup>2</sup>
<b>Type of light</b>	IR, 880nm	<b>Casing material</b>	lower part: ABS-GR15%, upper part: PMMA, black
<b>Aperture</b>	15° round angle	<b>Index of Protection</b>	IP67, to EN60529
<b>Output</b>	Relay, changeover contact	<b>Operating temp.</b>	-25 - 60°C
<b>Switch rating</b>	min. 1mA / min. 5VDC max. 0.6A / 50VAC max. 0.5A / 48VDC	<b>Storage temp.</b>	-35 - 80°C
<b>Type of switching</b>	light on, output closed with free light beam	<b>Weight</b>	approx. 60g
<b>Output delay</b>	<100ms, detection of light beam interruption	<b>Size</b>	86x44x39 mm <sup>2</sup> (LxWxH)
<b>Relay delay</b>	when the light beam is uninterrupted again, the relay picks up with 500ms delay		

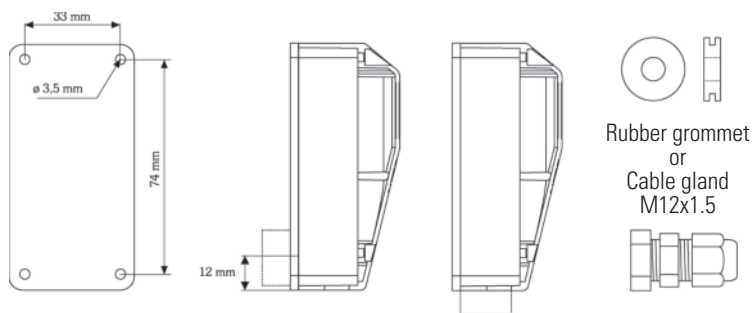
### 2 Terminal assignments



### 3 Configuration



### 4 Drilling template / optional cable entry

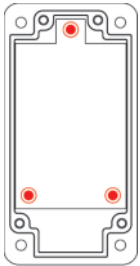


**Note:**  
The cable entry is moulded into the lower part of the casing and can be broken out. Either the rubber grommet or the cable gland (both supplied) can be used.

Drilling template

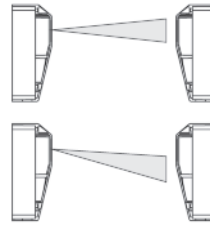
Optional cable entry

## 5 Fine adjustment



After mounting the photo-switch the light beam can be adjusted using 3 screws.

**!** The optical sensor is spring-mounted. All 3 screws are unscrewed by 1 turn factory made, the maximum is 3 turns. The optical sensor is optimally aligned when the yellow LED lights up constantly.



LED lights up yellow:  
100% of the cone of light meets the receiver

LED flashing:  
Less than 100% of the cone of lights meets the receiver

## 6 Accessoires

### Mounting bracket

Material: bright 1.5 1.4301 (V2A)



### Rain cover

Material: PA6 GF15



Included in the scope of supply: 2 cable glands M12 x 1.5 and 2 pass-through grommets

## 7 Ordering details

<b>Transmitter</b>	BRW20-T	Item number	<b>814800</b>
<b>Receiver</b>	BRW20-R	Item number	<b>814810</b>
<b>Mounting Bracket</b>	BRW-MB	Item number	<b>814830</b>
<b>Rain Cover</b>	BRW-RC	Item number	<b>814820</b>

<b>Complete Kit</b>	BRW20-KIT	Item number	<b>814850</b>
Includes: Receiver, Transmitter and 2pcs of mounting brackets			

## 8 Declaration of conformity

**CE** EMC directive 2004/108/EEC  
EN 61000-6-2 and EEN 61000-6-4

## 9 Contact

### Swissdoor ApS

Stenhuggervej 2  
DK-5471 Soendersoe  
Tlf.: +45 86 28 00 00  
mail@swissdoor.dk  
www.swissdoor.dk

**SWISSDOOR**  
DØRTEKNIK FOR PROFESSIONELLE