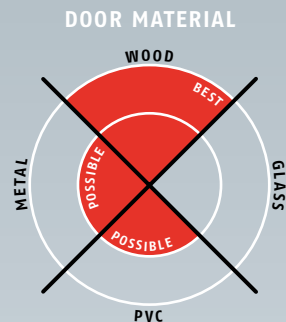


Planet RH → 13 x 30 mm | ↓ 27 mm | ≤ 44 dB



Main features

- Seal height up to ↓ 27 mm
- Acoustic insulation up to ≤ 44 dB in case of an optimal sealing
- For wavy, buckled, hollow, bevelled and uneven floor
- Soft silicone bevel lip seal
- Compensation of 15 mm in case of sloping floor at door width of 1000 mm
- Unilateral and soundless release, silent seal
- Due to parallel drop-down no trailing on the floor
- One groove width for Planet RH and HS (even floors)
- For double leaf folding doors with flush bolt or driving bar
- High-grade silicone lip, simple lift height adjustment
- Can be shortened up to the next shorter length on stock
- No extra need to cut off silicone at both ends
- 7 years warranty

Versions / options

- Planet RH → RD ≤ 44 dB, smoke-shielding
- Planet RH → FH+RD ≤ 44 dB, fire-retardant + smoke-shielding
- DIN L or DIN R
- Option sliding door ≤ 44 dB
- Option Double-shortening → refer to chapter Accessories | TR125
- Special versions on request

Door types with Planet RH



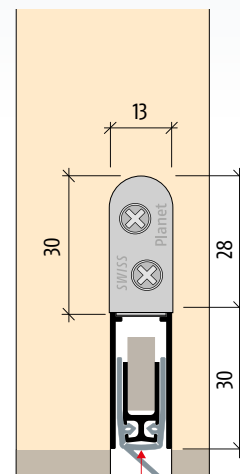
Double leaf doors → refer to chapter Accessories | Flush bolt, drilling

More functions



Technical specifications

Profile material	aluminum, → 13 x 30 mm
Groove size	□ width 13,1 mm with depth 30,5 up to 40 mm
Seal profile	high-grade silicone or high-grade self-extinguishing silicone
Seal height	up to ↓ 27 mm
Sound absorption value	up to ≤ 44 dB
Lift height adjustment	on the release knob with an Allen key 3 mm
Lengths in stock	335, 460, 585, 710, 835, 960, 1085, 1210, 1335 and 1460 mm
Special lengths	on request up to 6000 mm for wing- and sliding doors
Release	unilaterally on hinge side
Can be shortened	up to the maximum of 125 mm (335 mm only 115 mm)
Fastening	on the side with stainless steel angle brackets and screws
Frame protector plate	stainless, hammer fixed, 20 x 20 mm
Test approvals	on request



← Closing direction
Seal height up to 27 mm



Versions | Options | Accessories



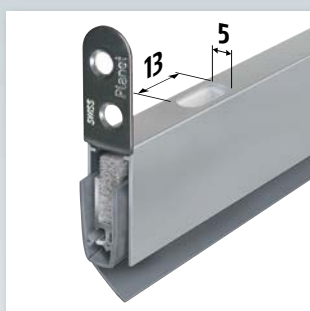
Profile Planet RH



Planet RH with fastening brackets, release side



Planet assembly set HS for Planet RH



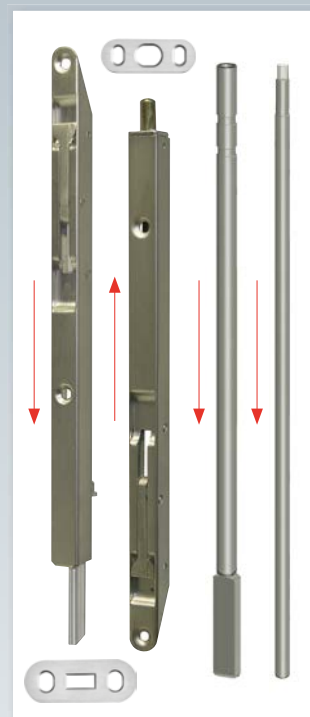
Option: Planet RH with Planet drill hole $\varnothing 5 \times 13$ mm for flush bolt, driving bar rods → refer to chapter Accessories | driving bar rods



Option: Planet RH with Planet drill hole $\varnothing 5 \times 13$ mm and driving bar rod → refer to chapter Accessories | driving bar rods



Option: Planet RH with Planet drill hole $\varnothing 8$ mm for driving bar rods → refer to chapter Accessories | driving bar rods



Accessories: Planet KR flush bolt, incl. strike plate → refer to chapter Accessories | Flush bolt
Driving bar rods flattened → see pages 151 – 161

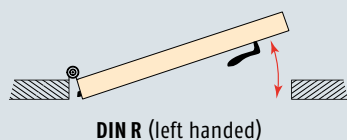
Order specifications

Planet RH → RD ≤ 44 dB
incl. assembly set HS for Planet RH

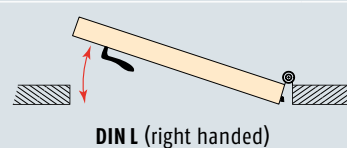
Prod. code 88xxx*

Planet RH → FH+RD ≤ 44 dB
incl. assembly set HS for Planet RH

Prod. code 85xxx*



DIN R (left handed)



DIN L (right handed)

* xxx = refer to price list for profile length

Accessories | Options

Sliding door	Prod. code 900908
Planet assembly set HS for Planet RH incl. 2 fastening brackets (stainless), 4 screws and frame protector plate, type 1 (stainless)	Prod. code 900180
Planet frame protector plate type 1 (stainless); possible type 2/3/4/5 → refer to chapter Accessories Options	Prod. code 900014
Cut the Planet to fix dimension	Prod. code 900200
Planet drill hole $\varnothing 8$ mm	Prod. code 900866
Planet drill hole $\varnothing 5 \times 13$ mm including plastic guide, for Planet KR and driving bar rods flattened → refer to chapter Accessories Flush bolt, drilling	Prod. code 900190
Planet BM floor strikes → refer to chapter Accessories BM	Prod. code 90034x-x Prod. code 90027x-x

x-x = Several Planet floor strikes available in different adjustment range refer to chapter Accessories | BM

Advertising text



Planet RH → RD (smoke-shielding) ≤ 44 dB

Automatic door drop-down seal **Planet RH → RD** ≤ 44 dB, especially for uneven floors, for sound protection and smoke-shielding doors, release on hinge side, fits on the uneven floor, seal height up to $\downarrow 27$ mm, flush or deeper to put in groove. Lateral fastening. Aluminum profile → 13×30 mm.

Advertising text



Planet RH → FH+RD (fire-retardant + smoke-shielding) ≤ 44 dB

Automatic door drop-down seal **Planet RH → FH+RD** ≤ 44 dB, especially for uneven floors, for sound protection-, smoke-shielding and fire-retardant doors, release on hinge side, fits on the uneven floor, seal height up to $\downarrow 27$ mm, flush or deeper to put in groove. Lateral fastening. Aluminum profile → 13×30 mm.