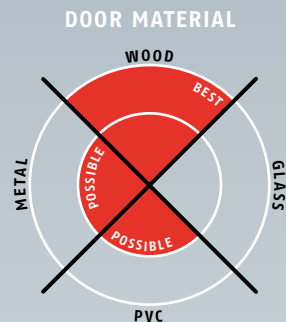


Planet RF → 13 x 30 mm | ↓ 27 mm | ≤ 44 dB



Main features

- Seal height up to ↓ 27 mm
- Acoustic insulation up to ≤ 44 dB in case of an optimal sealing
- For wavy, buckled, hollow, bevelled and uneven floor
- Soft silicone bevel lip seal
- Compensation of 15 mm in case of sloping floor at door width of 1000 mm
- Unilateral and soundless release, silent seal
- Due to parallel drop-down no trailing on the floor
- One groove width for Planet RF and FT (even floors)
- For double leaf folding doors with flush bolt or driving bar
- Also suitable for Planet Socle (→ refer to Planet Socle)
- High-grade silicone lip, simple lift height adjustment
- Can be shortened up to the next shorter length on stock
- No extra need to cut off silicone at both ends
- 7 years warranty

Versions / options

- Planet RF → RD ≤ 44 dB, smoke-shielding
- Planet RF → FH+RD ≤ 44 dB, fire-retardant + smoke-shielding
- DIN L or DIN R
- Option sliding door ≤ 44 dB
- Option Double-shortening → refer to chapter Accessories | TR125
- Special versions on request

Door types with Planet RF



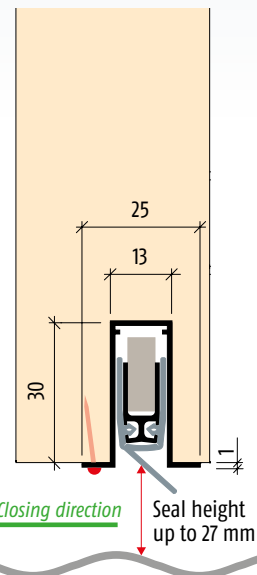
Double leaf doors → refer to chapter Accessories | Flush bolt, drilling

More functions

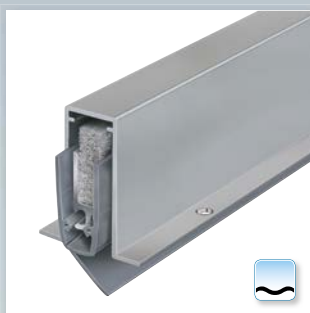


Technical specifications

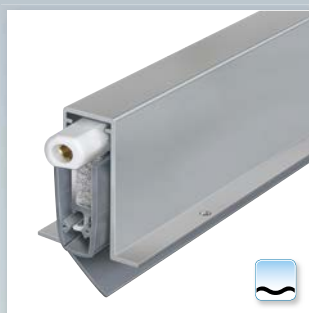
Profile material	aluminum, → 13 x 30 mm
Groove size	width 13,1 mm with depth 30,5 mm
Seal profile	high-grade silicone or high-grade self-extinguishing silicone
Seal height	up to ↓ 27 mm
Sound absorption value	up to ≤ 44 dB
Lift height adjustment	on the release knob with an Allen key 3 mm
Lengths in stock	350, 450, 550, 650, 750, 850, 950, 1050, 1150, 1250, 1350, 1450 mm
Special lengths	on request up to 6000 mm for wing- and sliding doors
Release	unilaterally on hinge side
Can be shortened	up to the maximum of 100 mm
Fastening	from the bottom with screws or nails / pins available by customer
Frame protector plate	stainless, hammer fixed, 20 x 20 mm
Test approvals	on request



Versions | Options | Accessories



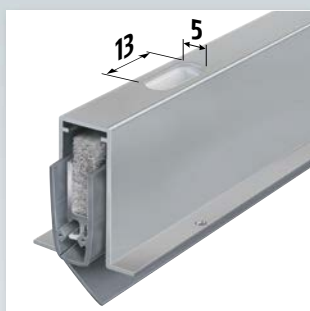
Profile Planet RF



Planet RF, release side



Option: Planet RF with Planet Socle
→ refer to chapter Socle



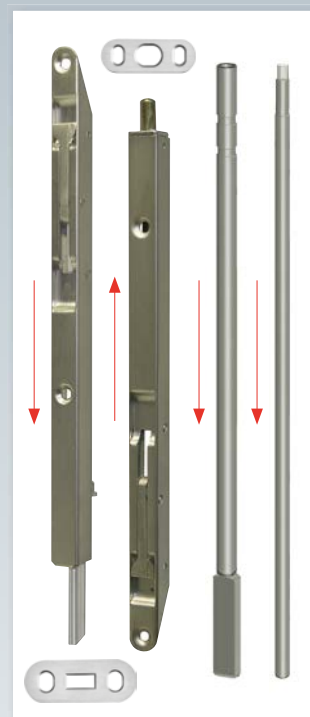
Option: Planet RF with Planet drill hole $\varnothing 5 \times 13$ mm for flush bolt, driving bar rods → refer to chapter Accessories | driving bar rods



Option: Planet RF with Planet drill hole $\varnothing 5 \times 13$ mm and driving bar rod → refer to chapter Accessories | driving bar rods



Option: Planet RF with Planet drill hole $\varnothing 8$ mm for driving bar rods → refer to chapter Accessories | driving bar rods



Accessories: Planet KR flush bolt, incl. strike plate → refer to chapter Accessories | Flush bolt
Driving bar rods flattened
→ see pages 151 – 161

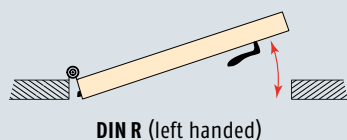
Order specifications

Planet RF → RD ≤ 44 dB
including frame protector plate, type 1

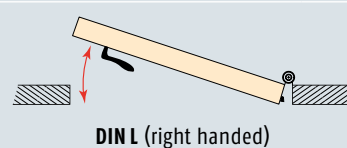
Prod. code 86xxx*

Planet RF → FH+RD ≤ 44 dB
including frame protector plate, type 1

Prod. code 84xxx*



DIN R (left handed)



DIN L (right handed)

* xxx = refer to price list for profile length

Accessories | Options

Sliding door	Prod. code 900908
Planet frame protector plate type 1 (stainless); possible type 2/3/4/5 → refer to chapter Accessories Options	Prod. code 900014
Cut the Planet to fix dimension	Prod. code 900200
Planet covering plates	Prod. code 70010
Planet drill hole $\varnothing 8$ mm	Prod. code 900866
Planet drill hole $\varnothing 5 \times 13$ mm including plastic guide, for Planet KR and driving bar rods flattened → refer to chapter Accessories Flush bolt, drilling	Prod. code 900190
Planet Socle for bottom mounting → refer to chapter Socle	Prod. code 19xxx*
Planet BM floor strikes → refer to chapter Accessories BM	Prod. code 90034x-x Prod. code 90027x-x

x-x = Several Planet floor strikes available in different adjustment range
refer to chapter Accessories | BM

Advertising text



Planet RF → RD (smoke-shielding) ≤ 44 dB

Automatic door drop-down seal **Planet RF → RD ≤ 44 dB**, especially for uneven floors, for sound protection and smoke-shielding doors, release on hinge side, fits on the uneven floor, seal height up to $\downarrow 27$ mm, flush to put in groove. Silicone lip, fastening on the bottom. Aluminum profile → **13 x 30 mm**.

Advertising text



Planet RF → FH+RD (fire-retardant + smoke-shielding) ≤ 44 dB

Automatic door drop-down seal **Planet RF → FH+RD ≤ 44 dB**, especially for uneven floors, for sound protection-, smoke-shielding and fire-retardant doors, release on hinge side, fits on the uneven floor, seal height up to $\downarrow 27$ mm, flush to put in groove. Fastening on the bottom, self-extinguishing silicone lip. Aluminum profile → **13 x 30 mm**.