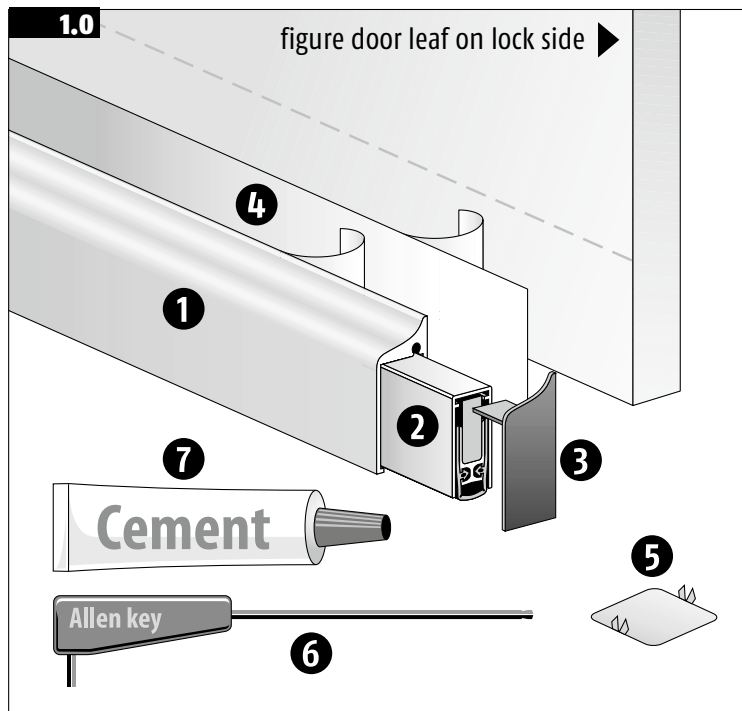


Mounting instructions to glue on the Planet KG-SM

Ideal for the subsequent sealing of **smooth** glass-, metal-, aluminum-, wooden- and plastic doors



Suitable for later sealing of **smooth** inside glass doors.

Price list

Check the presence of the following components in the pack:

- ① 1 x protection profile with an applied double-face adhesive tape
Attention! Adhesive not suitable for structure glass surfaces
→ please contact Planet for help
- ② 1 x drop-down seal
- ③ 2 x covering plates for the protection profile (DIN left / DIN right)
- ④ 1 x foil, aluminum colored (for glass doors only)
- ⑤ 1 x stopping plate
- ⑥ 1 x Allen key
- ⑦ 1 x assembly cement

2.0 Adapt the protection profile/drop-down seal to the width of the door leaf

2.1 Shorten the protection profile

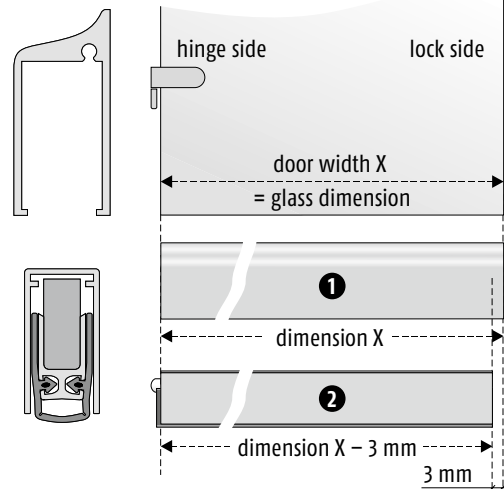
Measure the width of the door leaf (= dimension X)
Shorten – if necessary – the protection profile ① to the width of the door leaf (= dimension X).

2.2 Shorten the drop-down seal

Shorten the drop-down seal ② with a straight clear cut to the width of the door minus 3 mm (= dimension X - 3 mm). This is indispensable because of the displacement of 3 mm of the drop-down seal on hinge side at a lift height of 16 mm.

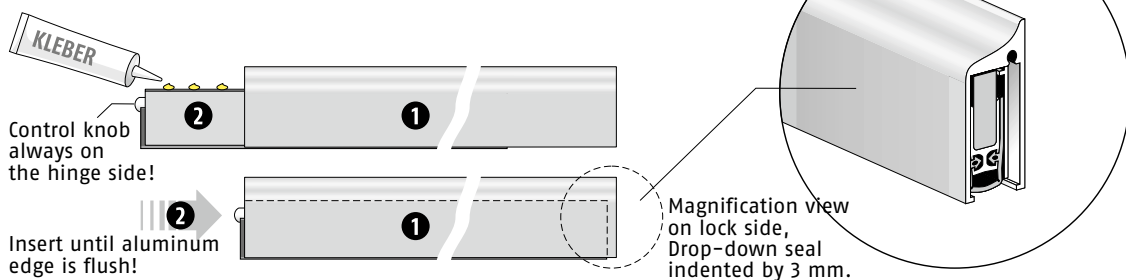
Important remark:

Shorten the drop-down seal by 125 mm at maximum.



3.0 Preparation of the drop-down seal and the protection profile

Paste the drop-down seal ② with the protection profile ① on the seal back with 4 to 5 cement spots. Use the furnished assembly cement ⑦ and observe in any case the treatment specifications on the cement pack (drying time a.s.o.).

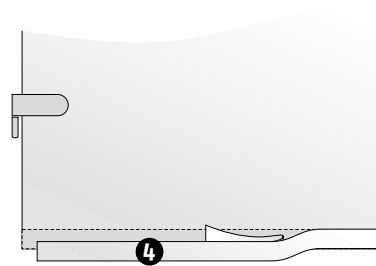
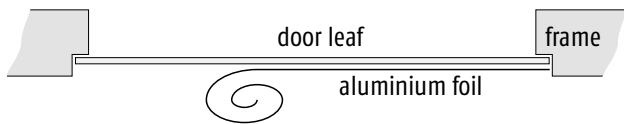


Mounting instructions to glue on the Planet KG-SM

Ideal for the subsequent sealing of glass-, metal-, aluminum-, wooden- and plastic doors

4.0 Paste on the aluminum foil (glass doors only)

Apply the furnished aluminum foil **4** free of bubbles on the cleaned lower edge of the glass door.

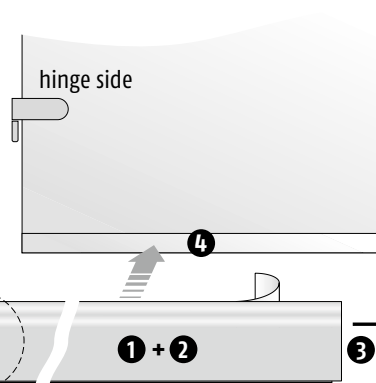
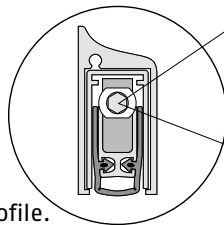


5.0 Apply the Planet seal on the aluminum foil (glass doors only)

Remove now the covering foil of the double-face adhesive tape on the back the prepared protection profile **1 + 2** and paste the profile at the already applied and cleaned aluminum foil (glass doors only) or directly at the cleaned door. Press firm together the whole thing.

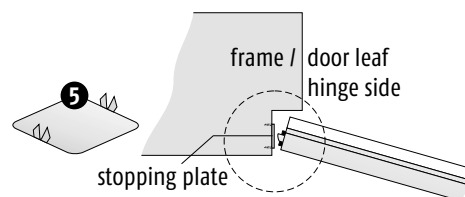
Pay attention to the control knob – it must be on the hinge side!

Insert on the hinge side the suitable covering plate **3** on the protection profile.



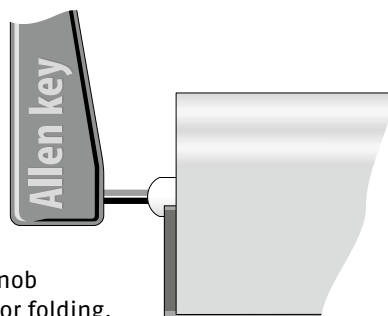
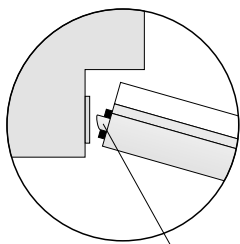
6.0 Installation of the stopping plate (protection of the wooden frame)

Drive home the stopping plate **5** in the mid of the pressure mark originated from the control knob on the door frame (in case of wooden frame only). The stopping plate is unnecessary in case of a steel frame.

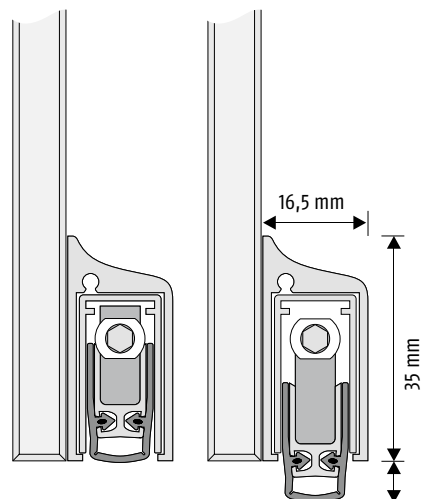


7.0 Lift height adjustment

The lift height can easily be adjusted by rotating the control knob with an Allen key **6**. Pay attention as well to the final position of the sloping of the control knob with reference to the frame (refer to the figure below)



Position of the control knob with reference to the door folding.



Lift height 5 up to max. 16 mm