

# GILGEN SLX SLIDING DOOR DRIVE UNIT, COMBINED WITH PSW PROFILE SYSTEM

## Entry system with added energy-efficiency The green door leaves

The Gilgen SLX sliding door drive unit is of modular design, to include all possible functions. This powerful system can operate even heavyweight doors with smooth, robust efficiency. A special runner surface with rubber damping helps ensure quiet operation. The elegantly designed sensor system is built into the header profile.

The Gilgen heat-insulated automatic sliding door with thermally-insulated PSW profiles reliably protects the building with low U-values in order to prevent loss of energy. The door system also offers tested protection against currents of air and driving rain, and is highly wind-resistant.

### Versatile usage

- The ideal combination for a wide range of uses
- Heat-insulated
- Profiles based on the WICONA® profile system WICSTYLE 65
- Reliable, long-term operation

### Possible applications

- Single and bi-parting sliding doors
- With glazed overhead panel
- Ideal for external facades
- With side panels
- With pocket screen
- Standard locking-system built into drive mechanism
- FLUVERI multi-point locking (integrated into door leaf) manual/automatic
- The use of a full length bottom guide rail is recommended
- Fixed point guide
- Can be attached to the door lintel or wall

### The entire system has been tested and certified by the ift Rosenheim and TÜV organisations

- "U"-value rating
- Low air-permeability
- High resistance to driving rain
- High wind-load capacity
- Secure automatic-door systems (conforming to DIN 18650, etc.)

### Glazing and infill options

- Insulating glass of 24 to 50 mm in thickness

### Surface finish of aluminium profiles

- Anodised (coloured or colourless)
- Can be supplied with any RAL colour-finish



The combination of low "U" values, plus high resistance to currents of air, driving rain and wind, create a sliding door with optimum heat insulation.



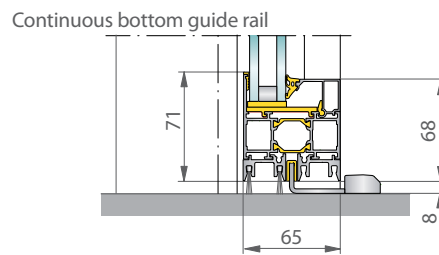
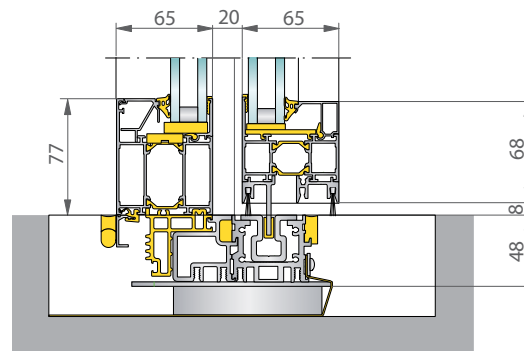
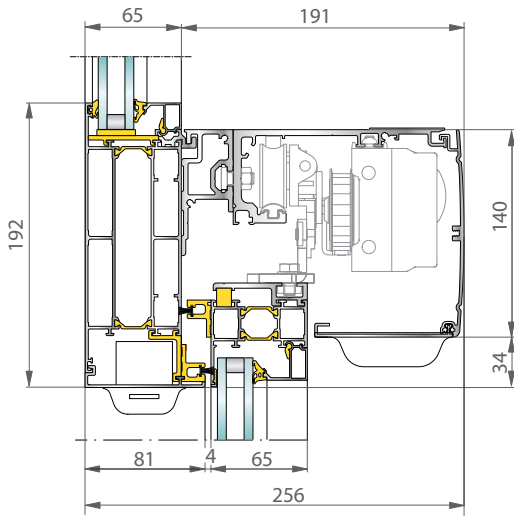
**GILGEN**  
GILGEN DOOR SYSTEMS

**SWISSDOOR**  
DØRTEKNIK FOR PROFESSIONELLE

Swissdoor ApS • Stenhuggervej 2 • 5471 Sønderød • Danmark  
Telefon +45 86 28 00 00 • mail@swissdoor.dk • www.swissdoor.dk

Member of the **Nabtesco** Group

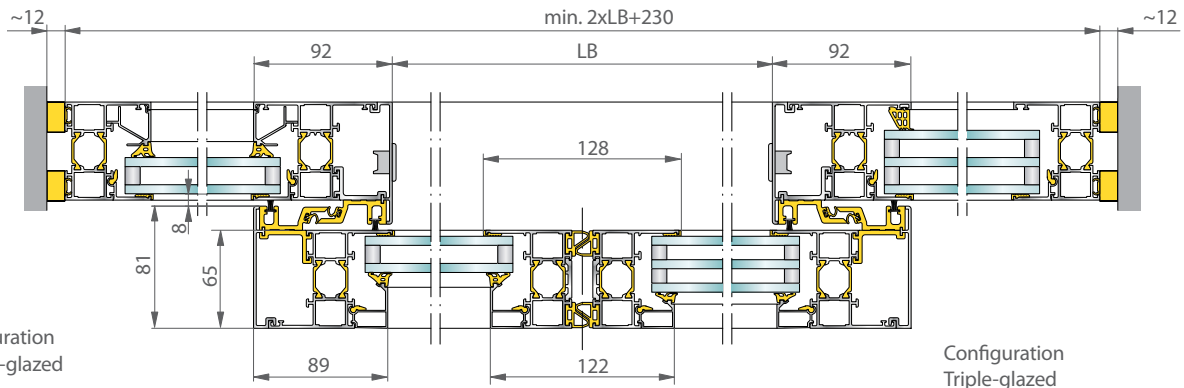
**Gilgen SLX sliding door drive unit, combined with the PSW profile system**



Single and bi-parting installations with glazed overhead panel



Fixed point guide



U-value rating (ift-tested Wictop® software)  
U-value of just 1.5 to 1.9 W/(m<sup>2</sup>K) double-glazed insulation 1.1 and up to 1.0 with triple-glazed insulation 0.6



Resistance to driving rain EN 12208 (EN 1027)  
• Class 5A (200Pa, 30min., 2-wing)



Air permeability EN 12207 (EN 1026)  
• Class 2 (<27m<sup>3</sup>/hm<sup>2</sup> at 100Pa)



Wind-load stress EN 12210 (EN 12211)  
• Class B1 (400Pa, max. 1000Pa, 2-wing)

**Range of application for Gilgen SLX sliding door drive unit with PSW profile system**

		Bi-parting	Single door leaf
Sliding door SLX	Clear opening width	800 - 3000 mm	700 - 2000 mm
	Max. door leaf weight	2 x 150 kg	150 kg
	Clear height	standard 2100 mm / possible up to 3000 mm	
Sliding door SLX redundant	Clear opening width	1000 - 3000 mm	1050 - 2000 mm
	Max. door leaf weight	2 x 150 kg	150 kg
	Clear height	standard 2100 mm / possible up to 3000 mm	